



LEFROY BROOKS

1 8 2 8 T R O U T M A N S T R E E T
R I D G E W O O D N E W Y O R K N Y 1 1 3 8 5 U S A
T : + 1 (7 1 8) 3 0 2 5 2 9 2 F : + 1 (7 1 8) 3 0 2 4 1 7 7

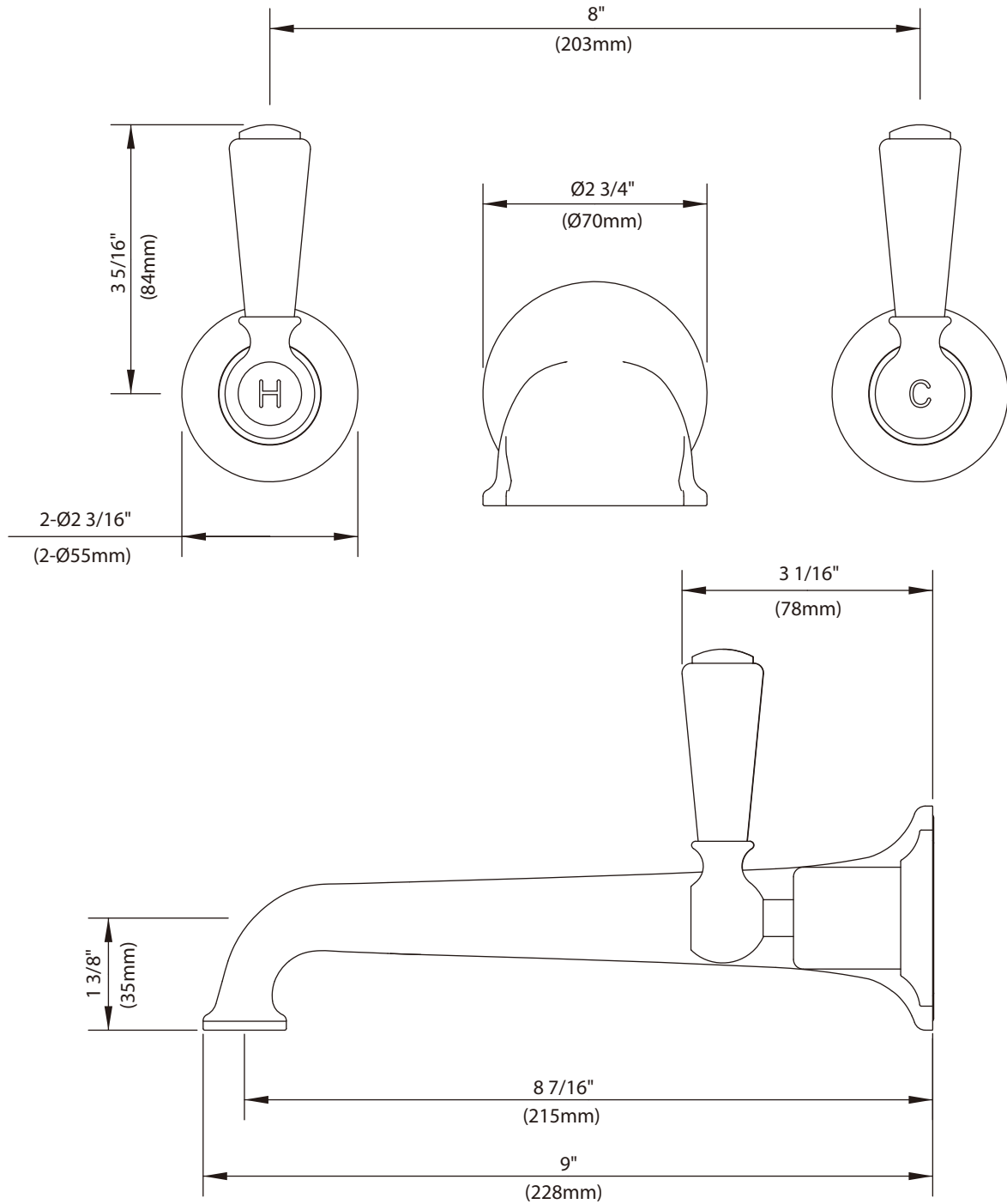
CB-2401

BLACK LEVER 3-HOLE WALL-MOUNTED BATH FILLER TRIM ONLY,
TO SUIT R1-4036 ROUGH

DIMENSIONAL DATA SHEET

DATE: 22 MAY 2014

No: A66F521



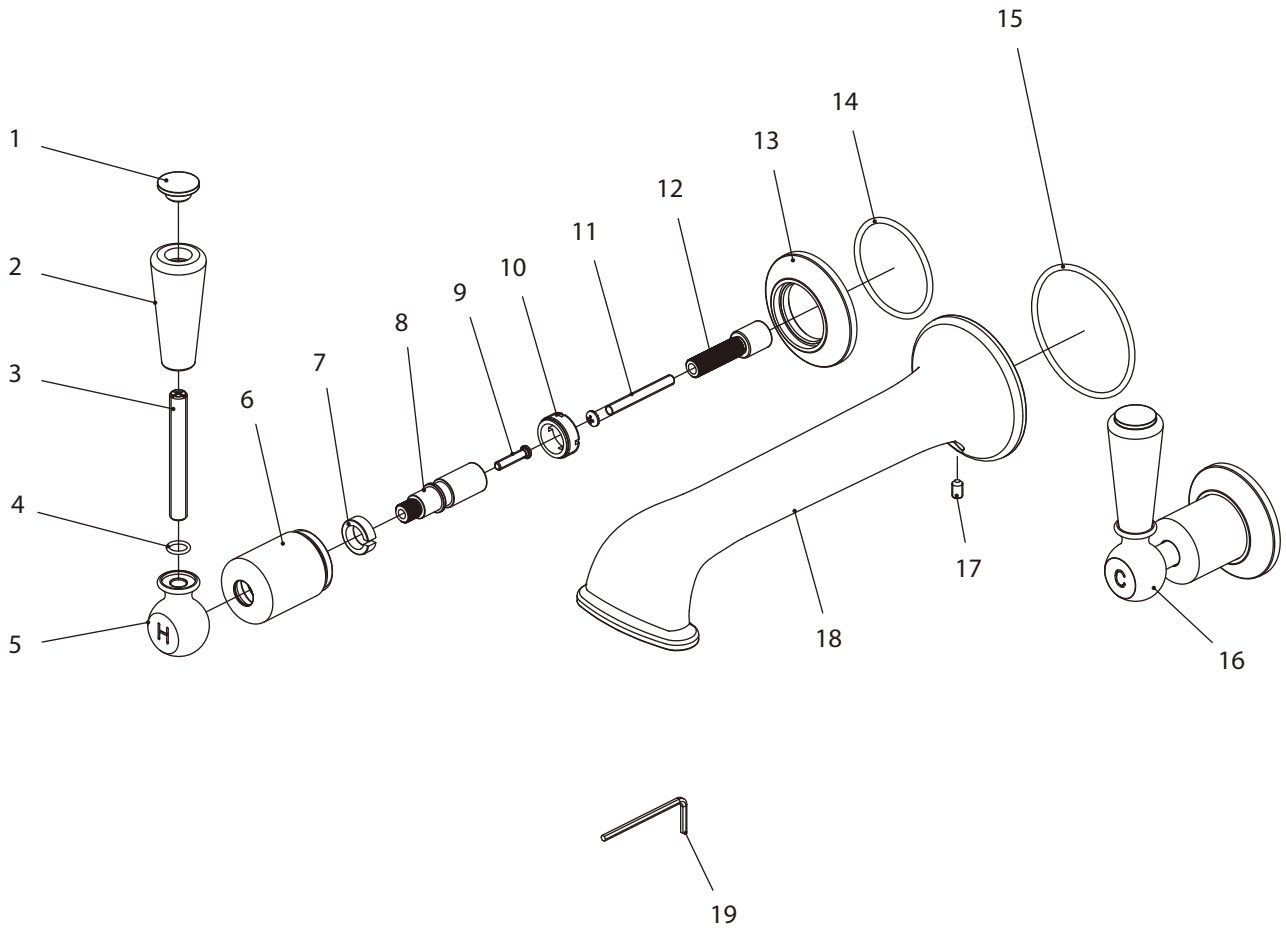
COPYRIGHT © LBIF LTD 2012. ALL RIGHTS RESERVED.

DIMENSIONS IN INCHES & MILLIMETRES

WHILST EVERY EFFORT IS MADE TO ENSURE THE ACCURACY OF THESE DATA SHEETS THEY ARE SUBJECT TO CHANGE WITHOUT NOTICE AS PART OF THE COMPANY'S PRODUCT DEVELOPMENT PROCESS

CB-2401

BLACK LEVER 3-HOLE WALL-MOUNTED BATH FILLER TRIM ONLY, TO SUIT R1-4036 ROUGH



1	Lever cap (109376)	8	Stem extension (110368)	15	O-ring (048061)
2	Lever (108924)	9	Screw (008486)	16	Lever seat (205143C-50)
3	Screw (017094)	10	Adaptor (057507)	17	Set screw (075208)
4	O-ring (072060N)	11	Screw (008488)	18	Spout (118052)
5	Lever seat (205143H-50)	12	Stem extension (110490)	19	Allen key (031000)
6	Canopy (018294)	13	Escutcheon (034209)		
7	Clip (012242)	14	O-ring (004045N)		

Standards

IAPMO/cUPC Listed
Meets A112.18.1

Please note :
Final achievable flow rate is dependent on the outlets fitted, see relevant outlets (spouts, roses, sprays) for fully assembled product flow rate.